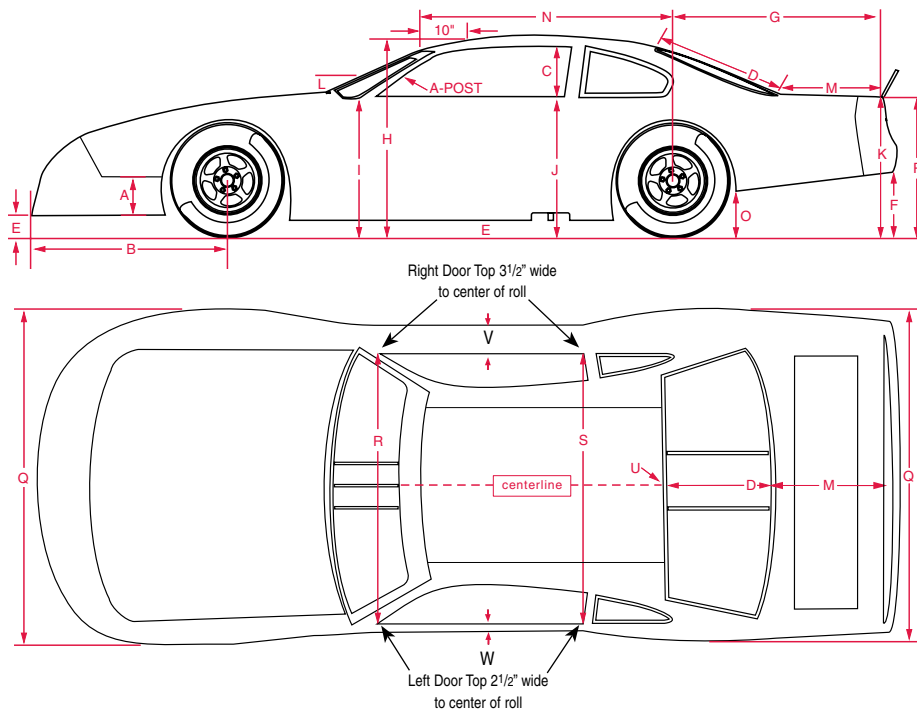


# ABC BODY MOUNTING DIMENSIONS

## Impala, Camry, Fusion & Charger

These offset composite bodies conform to the ABC (Approved Body Configuration) rules that have been adopted by the American-Canadian Tour, ASA Late Model Series, CRA Super Series, FASCAR, Late Model Challenge Series, Pro All Stars Series, SunBelt Super Series and other associations and tracks. They are designed to meet a 47" roof height, up to a 66" tread width, and up to a 106" wheelbase, and will fit a straight rail/offset style chassis.

When mounted using the dimension guidelines at right and templates (centerline, side-to-side, and fenders), these bodies will meet the specifications as regulated by sanctioning body templates and inspection devices, such as the Official Referee.



### ABC DIMENSION GUIDELINES

A	NOSE FLAP HEIGHT (MIN): from bottom of nose to top of side flap	13"
B	FRONT OVERHANG (MAX): on centerline	46"
C	SIDE WINDOW OPENING (MIN): at B-post	15"
D	REAR WINDOW LENGTH: on centerline**	31½"
E	NOSE/SIDE PANEL CLEARANCE (MIN): from ground	4"
F	BUMPER COVER HEIGHT (MAX): from ground	15"
G	REAR OVERHANG (MAX): from base of spoiler at centerline to axle centerline	47"
H	ROOF HEIGHT (MIN): 10" back from windshield, on centerline	47**
I	FENDER HEIGHT: at rear	32½"
J	DOOR HEIGHT (MIN): at rear	33"
K	QUARTER PANEL HEIGHT: at bumper cover/deck lid intersection (+/-¼")	34½**
L	WINDSHIELD ANGLE: at center/at roof windshield post	26/30°
M	REAR DECK LENGTH (MAX): at center, from base of spoiler to rear window**	23¼"
N	FRONT OF ROOF TO CENTER OF REAR AXLE	57½"
O	QUARTER PANEL HEIGHT: at back of wheel well opening	13"
P	BUMPER COVER HEIGHT: at base of spoiler, on centerline	347/8**
Q	BODY WIDTH (MAX): at wheel wells	79½"
R	DOOR TO DOOR WIDTH (measured through car): at A-posts and inside edges of doors	68"
S	DOOR TO DOOR WIDTH (measured through car): at B-posts and inside edges of doors	67"
U	ROOF HEIGHT, REAR: at centerline	45½"
V	RIGHT DOOR TOP: to center of roll	3½"
W	LEFT DOOR TOP: to center of roll	2½"

\* If Dimensions H, K or P are higher than the stated dimensions, all three must increase by the same amount.

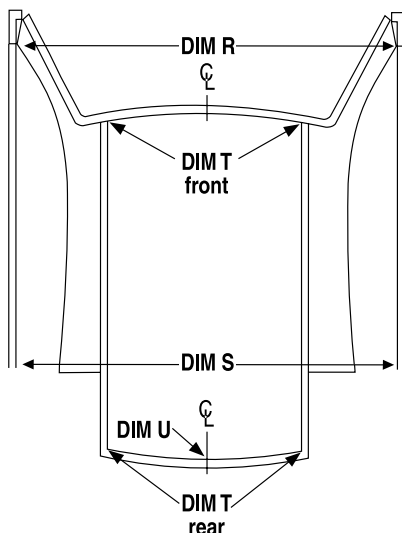
\*\* Must fit centerline template within allowable tolerance.

The current ABC Rulebook is available on-line as a downloadable PDF file at:

[www.abcodies.com](http://www.abcodies.com)

### ROOF MOUNTING

A properly located roof is essential for a properly mounted body.



This drawing shows roof corner dimensions to help you properly locate the roof. Once the roof is located, confirm that highest point on the roof (Dim. H) is 47". This dimension is measured 10" back from the windshield.

#### ALL ABC STYLE BODIES

DIM R	68"
DIM S	67"
DIM T front	44"
DIM T rear	44"
DIM U	45½"

#### NOTES:

1. DIM R is measured at the A-posts and the inside edges of the doors.
2. DIM S is measured at the B-posts and the inside edges of the doors.
3. Dimensions T front, T rear and U are taken at the edge of the roof (not on the ledge where the window sits) and are measured from the floor up.